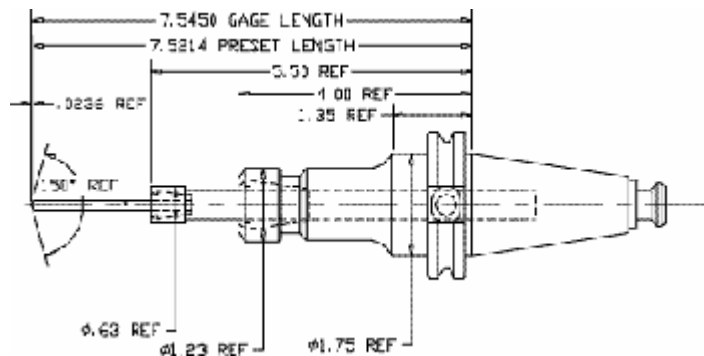


ToolView

ToolView is a fully integrated document-viewing module embedded within the CRIBWARE® Tool Management system, offering an extensive list of document viewing and management solutions. ToolView integrates vital graphical information into the CRIBWARE system effectively and easily. A print, drawing, or document provides the additional information necessary for comprehensive control over your tooling. Tool crib attendants, presetter operators, engineers, designers and managers, can now quickly access manufacturing documentation, expanding communication between departments, improving quality and increasing productivity.

The ToolView module provides easy access to a drawing, picture, or other documentation of any item, tool, kit, assembly, or job. A CAD system, graphic system or word processor can create prints, drawings, process sheets, or tooling diagrams for viewing within the CRIBWARE system. CRIBWARE's graphic control function puts superb integrated viewing at your fingertips.



View

- Office formats- Over 150 office formats.
- Engineering formats- Over 75 engineering formats.

Graphical Control

ToolView gives immediate and useful views of your print or drawing through the following commands:

- **Pan, Rotate, Flip**
Change to the view of your image that is the most useful.
- **Zoom and Unzoom**
Enlarge or reduce a portion of your document for more detailed information.
- **Convert**
Convert your files to other formats.
- **Overlay**
View or print several documents at once, even if they are different formats.
- **Print, Plot**
Print Preview, Print to Scale and Print to Fit command are available.

Modular Configuration

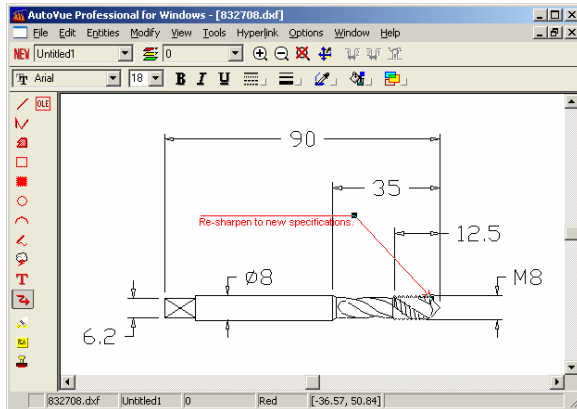
ToolView is modular and comes in four different configurations.

ToolView	ToolView Professional
<ul style="list-style-type: none"> • Viewing 150 Office files and 75 engineering files • Graphic control including pan, rotate, flip, zoom, convert, overlay, print and plot 	<ul style="list-style-type: none"> • All of the options in ToolView, plus... • Markup and annotation/redlining of documents • Add text, lines, symbols, shapes, highlights, hyperlinks, and more...
ToolView SolidModel	ToolView SolidModel Professional
<ul style="list-style-type: none"> • All of the options in ToolView, plus... • View, manipulate, measure, print and convert various 3D and 2D CAD 3D CAD and Solid Model files 	<ul style="list-style-type: none"> • All of the options in ToolView, plus... • View, manipulate, measure, print and convert various 3D and 2D CAD 3D CAD and Solid Model files • Markup and annotation/redlining of documents • Add text, lines, symbols, shapes, highlights, hyperlinks, and more...

ToolView Options

ToolView Professional with Redlining

ToolView Professional provides the tools necessary to collaborate and provide feedback on viewed data by marking up or annotating/redlining these documents. Markup files are 2D or 3D overlays on the original document where the user can attach comments and entities. These markups are saved separately from the original, leaving it unchanged. Markup files are associated with the original document, allowing all CRIBWARE users to immediately see what feedback has been created. ToolView's comprehensive and flexible set of markup entities include:

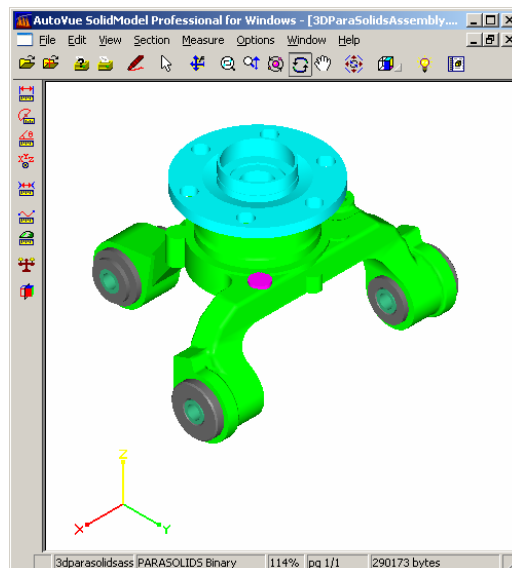


- Text
- OLE Objects
- 3D Measurements
- Hyperlinks to documents or URLs
- Shapes: Arcs, Boxes, Circles, Clouds
- Sticky-notes
- Lines, Polylines
- Leaders
- Highlights
- Freestyle
- Symbols
- User Defined Entities

Solid Model (Standard and Professional)

ToolView provides a single point of access and a common user interface, allowing users to natively view, manipulate, measure, print and convert various 3D and 2D CAD documents. The most popular 3D CAD formats and their associated 2D drafts are supported, providing native access to accurate part and assembly data. ToolView allows you to work directly with documents in hundreds of different file formats without the authoring applications, while fully preserving the original document intact.

- CATIA (2 & 3D)
- Pro/Engineer (2 & 3D)
- Unigraphics (2 & 3D)
- SolidWorks (2 & 3D)
- Solid Edge (2 & 3D)
- Autodesk Inventor (2 & 3D)
- DirectModel JT
- SolidDesigner
- SPATIAL ACIS
- Parasolids
- Mechanical Desktop (2 & 3D)
- IGES (2 & 3D)
- STL, STEP, VRML
- And many more...



©2008 Applied CIM Technologies, Inc. All rights reserved. The information in this document is subject to change without notice. CRIBWARE is a registered trademark of Applied CIM Technologies, Inc. All other product and company names mentioned herein may be the trademarks of their respective owners.

15200 - 25th Avenue North
Minneapolis, MN 55447
Telephone: 763-476-4268



Fax: 763-476-1658
Website: www.cribware.com
E-mail: cribware@appcim.com